

**FUEGO 1.0**

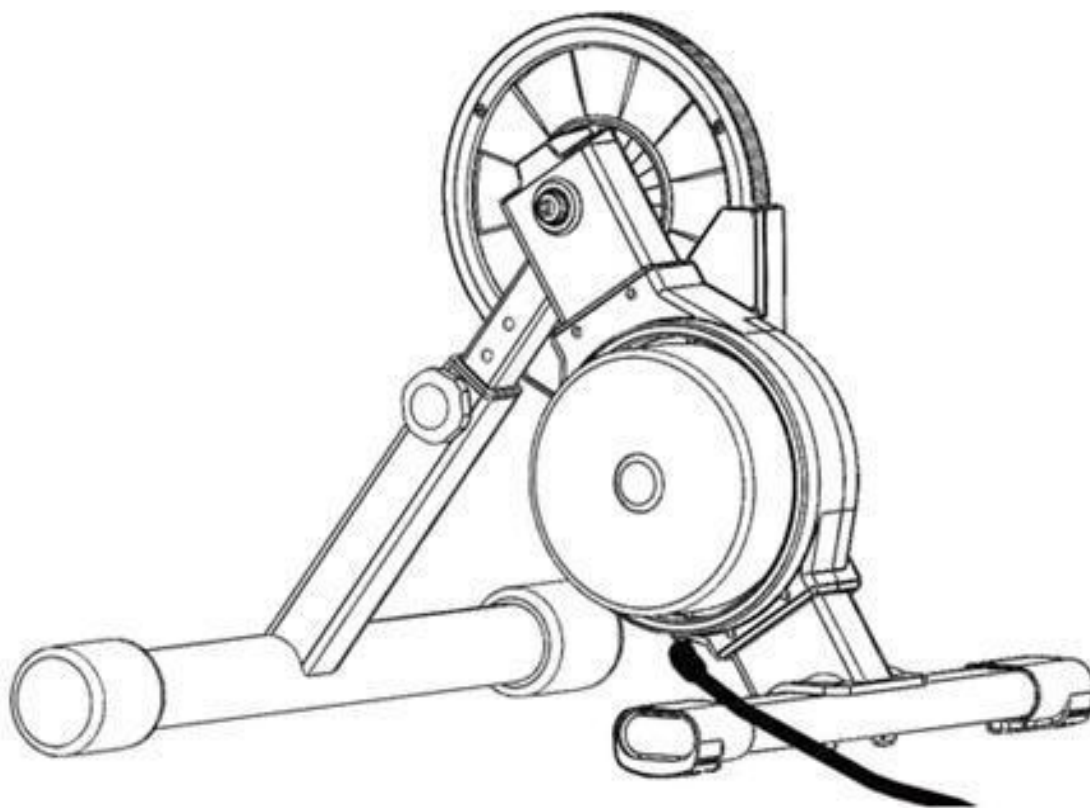


**FUEGO 1.1**

# **DARE2RIDE SMART BIKE TRAINER**

**Quick Start Guide**

- **FUEGO 1.1|1.0**



**Visit the DARE2RIDE utility App for Firmware updates, test connectivity and other information. Please download the app, DARE2RIDE, from the Google and Apple app store.**



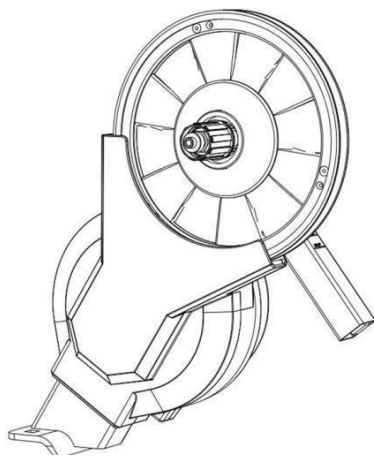
## **TABLE OF CONTENTS**

---

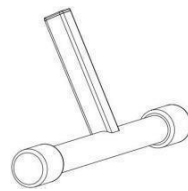
<b>Knowing your FUEGO 1.1 1.0</b>	<b>3</b>
Package contents	3
Introduction of product appearance	4
Assembling the FUEGO 1.1 1.0	5
<b>Assembly descriptions</b>	<b>6</b>
Attaching the cassette (sold separately)	6
Mounting your bicycle	7
Specifications	8
Cadence (only for FUEGO 1.1)	8
<b>Safety precautions and regulations</b>	<b>9</b>
Safety precautions before use	9
Notices	9
Disclaimer	10
Maintenance and care	10
Federal Communications Commission (FCC) Statement	10
CE Compliance Statement	11
FUEGO 1.1 1.0 Limited Product Warranty Policy	11-12
<b>Product warranty</b>	<b>13</b>
<b>Software compatibility</b>	<b>14</b>

# KNOWING YOUR FUEGO 1.1|1.0

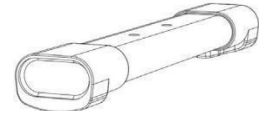
## Package contents



FUEGO 1.1|1.0 bike trainer main unit



Front bottom tube



Rear bottom tube



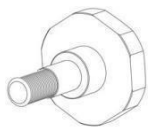
Bolt x2



Nut x2



1.8mm cassette washer



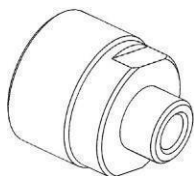
Tuning knob – for front/rear bottom tubes adjustment and tightness



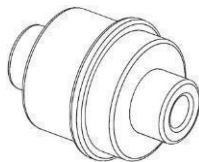
Quick release kit



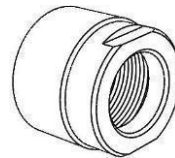
Open-end wrench  
Power adapter



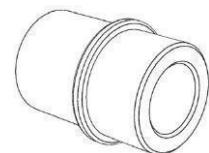
Adapter A – for quick release  
Cassette nut



Adapter B – for quick release  
130mm/135mm



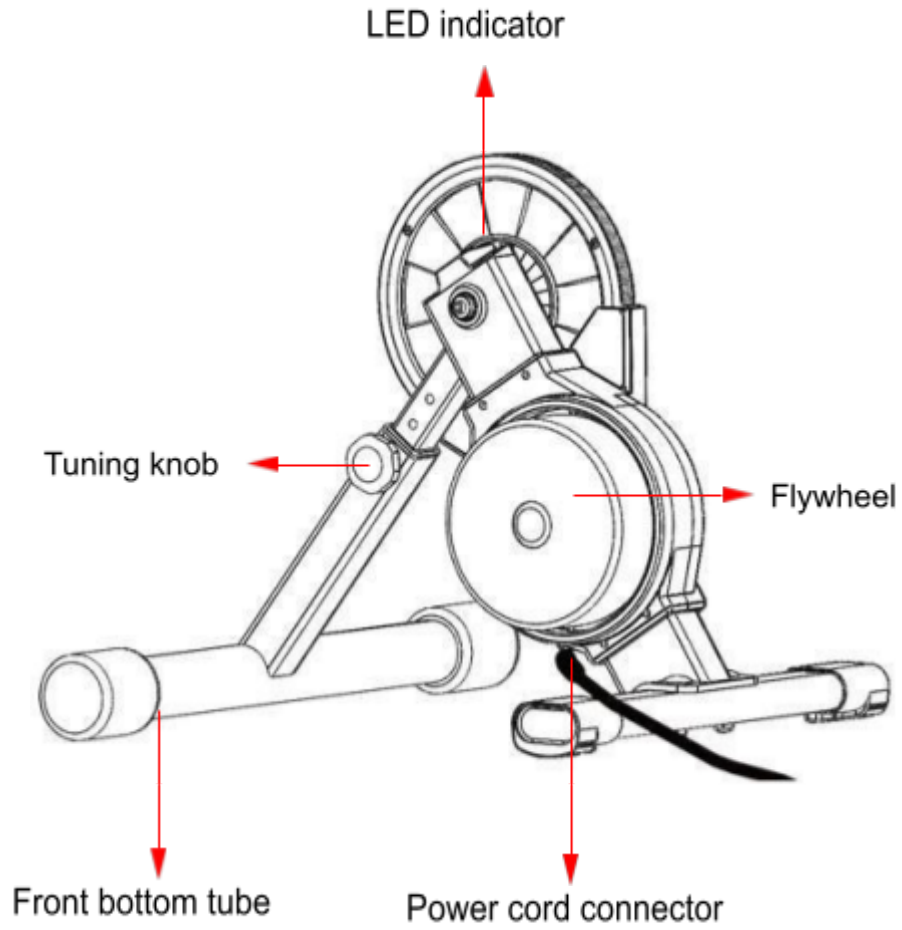
Adapter C – for thru axle  
cassette



Adapter D – for thru axle  
12x142/12x148mm

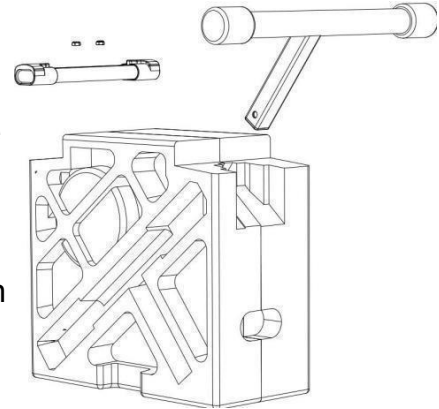
Note: Accessories may vary by country or region.

## Introduction of product appearance

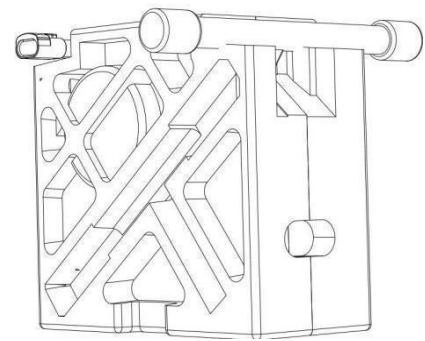


## Assembling the FUEGO 1.1 | 1.0

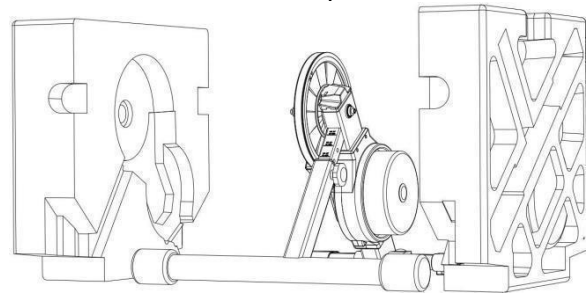
- Flip the box and open the bottom of the box. Take the FUEGO 1.1| 1.0 main unit and Styrofoam packaging out of the box at the same time.
- Remove the front and rear bottom tubes from the sides of the Styrofoam packaging. (DO NOT open the Styrofoam packaging at both sides.)
- Take out the bolts and insert them into the bolt holes on the main frame.



- Put the front and rear bottom tubes on the main frame, then push the bolts into bolt holes.
- Use the wrench to tighten the nuts.



- Flip the entire Styrofoam packaging to make the FUEGO 1.1| 1.0 bike trainer stands upright on the floor where it will be used. Remove the Styrofoam packaging on both sides to complete assembly of the bike trainer.
- Install the cassette (sold separately) into the cassette body and lock the cassette nut to prevent loosening.



### Attention:

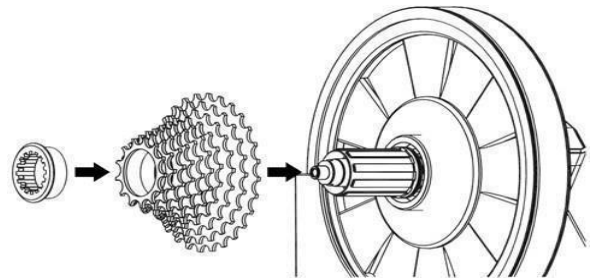
The FUEGO 1.1|1.0 bike trainer cassette body is compatible with Shimano and SRAM cassette which can be directly installed with an 11-speed cassette. If you are using a non-11-speed cassette, please fit the cassette washer on the bottom of the cassette body first before installing the cassette.

## ASSEMBLY DESCRIPTIONS

### Attaching the cassette (sold separately)

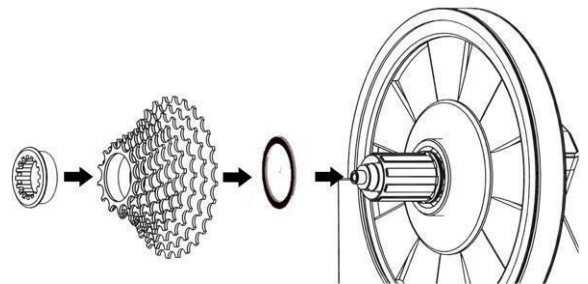
- **Attaching a compatible 11-speed cassette**

*Attach the cassette onto the cassette body manually and use the cassette nut to secure it on the cassette body. Use the cassette removal socket to secure it tightly on the TRAINER cassette body (the tool is not included).*



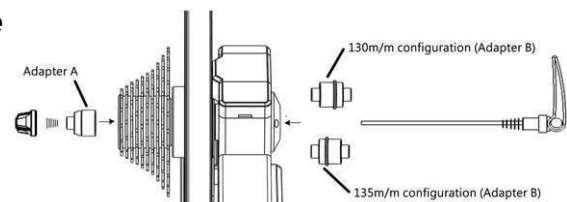
- **Attaching a 9-speed or 10-speed cassette**

*Before attaching a 9-speed or 10-speed cassette, you need to put the 1.8mm cassette washer onto the cassette body first and then secure the cassette tightly on the TRAINER cassette body as mentioned above.*



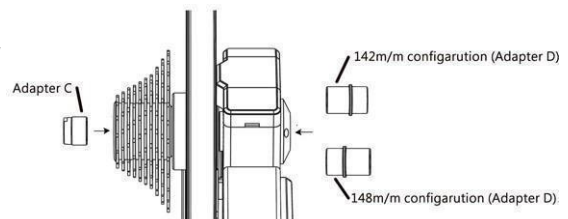
- **130mm or 135mm quick release installation**

*When installing a quick release bicycle frame, you need to use adapter A, adapter B and the quick release kit (these three accessories are included in the package). Please refer to the figure on the right for the installation.*



- **142mm or 148mm thru axle installation**

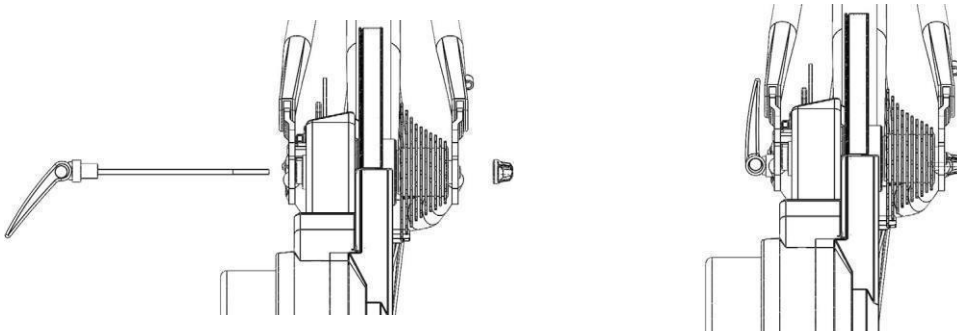
*When installing a thru axle bicycle frame, you need to use adapters C and D (the two accessories are included in the package). Please refer to the figure on the right for the installation.*



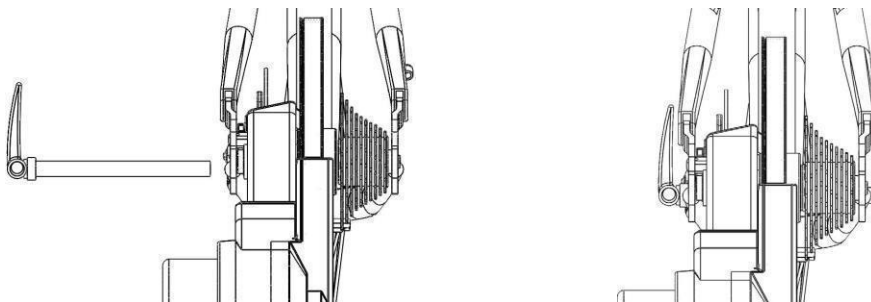
## Mounting your bicycle

Shift the chain on your bicycle to the smallest sprocket of the cassette and then remove the rear wheel. Align the bicycle chain with the smallest sprocket of the cassette and then put on the chain as well as mount the bicycle on TRAINER's axle to have the bicycle in a suitable position for riding.

Please use the bicycle quick release lever properly with care. When the arc of the rotating arm of the quick release lever is toward outside, it means the lever is in a released state. Rotate the rotating arm of the lever clockwise to tighten the quick release lever. The rotating arm of the quick release lever should be placed on the other side of the TRAINER's cassette.



Please refer to the following figure for the installation of the thru axle bicycle. Insert the thru axle from the other side of the cassette and tighten the axle.



### Attention:

1. Please firmly tighten the quick release lever and the thru axle to prevent damage to property or human body. If you cannot tighten the quick release lever and the thru axle, please contact your dealer or FUEGO 1.1 customer service. Please DO NOT attempt to use the TRAINER in this situation.
2. When mounting the bicycle, please lift its front wheel and press the frame down to make the bicycle firmly mounted on the TRAINER.



## Indicator descriptions

When the bike trainer is powered on, the indicator will light red first to indicate that the control panel is conducting self-diagnostics and auto zeroing. When the indicator is blinking green, it means the control panel has finished self-diagnostics and auto zeroing and is entering standby mode to get ready for riding.

The cadence is built in, and will be shown on the screen of your online training platform as soon as the trainer is connected.

No	Indicator status	Status description	Notice and remark
1	Red	Control panel self-diagnostics and auto zeroing in progress	<ul style="list-style-type: none"> <li>Normally, the process will complete in 2-4 seconds after it is powered on.</li> <li>Please DO NOT use the bike trainer before auto zeroing and self-diagnostics are completed to avoid power measurement deviations.</li> </ul>
2	Blinking green	Self-diagnostics and auto zeroing completed	Can connect to software.
3	Solid green	Bluetooth is connected	Connected to a Bluetooth device and paired successfully.
4	Blue	The bike trainer is active and providing power normally	When connecting to Bluetooth or ANT+ devices, it will light blue during riding.

## Specifications

	620 x 518 x 453 mm
	16.5 KG
	5.7 KG
	52 dB (@30KPH)
	2500 W
	20%(@70KG)
	±2%
	Cassette not included. Requires purchase/installation of new cassette: 8/9/10/11 Speed SRAM/Shimano
	ANT+, ANT+ FE-C, and Bluetooth Smart
	Yes
	100 - 240 Volt, 1.5 A, 50 Hz - 60 Hz

### **CADENCE (FUEGO 1.1 version only)**

The FUEGO 1.1 version offers a precise cadence. You can connect cadence functions within all training platforms like Zwift, Rouvy, RGT, Fulgaz, etc.

You will find the trainer under the cadence section of pairing as a DARE2RIDE device when you pair. You do not need to mount a cadence sensor on your bike, we recommend this only when using the Fuego 1.0 model.

Safety precautions and regulations

## **SAFETY PRECAUTIONS AND REGULATIONS**

### **Safety precautions before use**

1. Specs of the FUEGO 1.1|1.0 TRAINER power adapter are as follows:
  - o Input: 100 ~ 240 VAC / 1.5 A
  - o Output: 19 VDC / 4.7 A
  - o Power plug: External diameter 5.5 m/m; internal diameter 2.5 m/m; length 10~12 m/m
2. Only use the power adapter certified by the FUEGO 1.1|1.0 TRAINER. Non-compliant power adapters will cause irreparable damage to the bike trainer.
3. When the bike trainer is active, please do not touch it and you should keep non users, animals or objects away from it to avoid danger.
4. Consult your coach before you start any training plans.
5. Please DO NOT put your hands or any object near the spinning parts of the FUEGO 1.1|1.0 TRAINER.
6. The flywheel/cassette of the FUEGO 1.1|1.0 TRAINER might get hot after you use it for a while. Please DO NOT touch the flywheel/cassette within a short time.
7. Please DO NOT attempt to disassemble the bicycle when the cassette is running.
8. When you are using the FUEGO 1.1|1.0 TRAINER, keep your children and pets away from it to prevent injury.
9. The FUEGO 1.1|1.0 TRAINER can only be installed and used on a firm, level ground.
10. When training is in progress, please ride safely.
11. Keep away from water.
12. Before training, you should check if the bicycle is firmly secured to the FUEGO 1.1|1.0 TRAINER.
13. The FUEGO 1.1|1.0 TRAINER can only be used after it is completely assembled.
14. When using the FUEGO 1.1|1.0 TRAINER, you can only use accessories and power adapters certified by FUEGO 1.1|1.0.

### **Notices**

1. FUEGO 1.1|1.0 shall not be held responsible for users using software, applications and devices from other companies that result in malfunctioning of the FUEGO 1.1|1.0 TRAINER.
2. As ANT+™ and Bluetooth are mutually exclusive, it is impossible for the FUEGO 1.1|1.0 TRAINER to send data simultaneously through ANT+™ or Bluetooth, i.e., when one of the protocols is in use, the FUEGO 1.1|1.0 TRAINER will automatically stop the other protocol to avoid the possibility of causing TRAINER programs to misbehave.
3. Radio devices may cause interference and may change or completely prevent the FUEGO 1.1|1.0 TRAINER from functioning normally. Therefore, when training using the TRAINER, it is advised to stay away from high voltage power lines, traffic signals, railway power lines, buses or trams.
4. When the FUEGO 1.1|1.0 TRAINER is not in use, make sure not to expose it to direct sunlight for long periods of time.

Safety precautions and regulations

## Disclaimer

Attention! FUEGO 1.1|1.0 shall not be held responsible for temporary or permanent injury to the user out of using the FUEGO 1.1|1.0 TRAINER (either directly or indirectly).

## Maintenance and care

1. When cleaning the bike trainer, please use neutral lubrication oil. DO NOT use corrosive detergents.
2. DO NOT burnish the surface of the bike trainer or drill holes. Scratches or drilled holes will lead to occurrence of cracks.
3. Please place the bike trainer indoors and keep it dry to avoid damage from humidity.

## Federal Communications Commission (FCC) Statement

This device complies with part 15 of the FCC Rules. Operation is subject to the following two conditions: (1) This device may not cause harmful interference, and (2) this device must accept any interference received, including interference that may cause undesired operation.

Changes or modifications not expressly approved by the party responsible for compliance could void the user's authority to operate the equipment.

This equipment has been tested and found to comply with the limits for a Class B digital device, pursuant to part 15 of the FCC Rules. These limits are designed to provide reasonable protection against harmful interference in a residential installation.

This equipment generates, uses and can radiate radio frequency energy and, if not installed and used in accordance with the instructions, may cause harmful interference to radio communications. However, there is no guarantee that interference will not occur in a particular installation. If this equipment does cause harmful interference to radio or television reception, which can be determined by

turning the equipment off and on, the user is encouraged to try to correct the interference by one or more of the following measures:

- Reorient or relocate the receiving antenna.
- Increase the separation between the equipment and receiver.
- Connect the equipment into an outlet on a circuit different from that to which the receiver is connected.
- Consult the dealer or an experienced radio/TV technician for help.

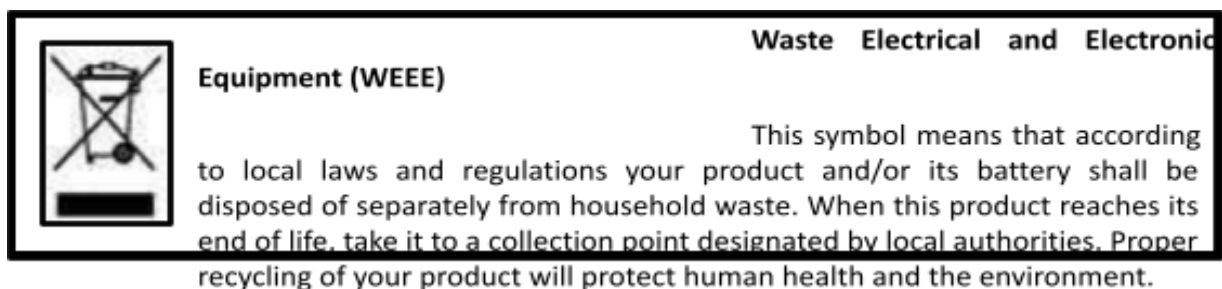
This device complies with radio frequency (RF) exposure limits adopted by the Federal Communications Commission for an uncontrolled environment. This equipment should be installed and operated to ensure a minimum of 20 cm spacing to any person at all times.

Safety precautions and regulations

## CE Compliance Statement

2402 MHz ~ 2480 MHz, power: -0.81 dBm

This device meets the EU requirements and the International Commission on Non-ionizing Radiation Protection (ICNIRP) on the limitation of exposure of the general public to electromagnetic fields by way of health protection. This equipment should be installed and operated to ensure a minimum of 20 cm spacing to any person at all times.



Hereby, FUEGO 1.1|1.0 Inc. declares that the radio equipment type bike power trainer is in compliance with Directive 2014/53/EU.

## FUEGO 1.1|1.0 Limited Product Warranty Policy

This Limited Product Warranty shall apply to FUEGO 1.1|1.0 products including all accessories as contained within the original DARE2RIDE gift box. FUEGO 1.1|1.0 warrants that products from its authorized distributors and retailers will meet the applicable product specifications and be free from all defects in material and workmanship during the Limited Product Warranty Period, one year starting from the date of original purchase, if the products are used and serviced in accordance with the user manual and other documentation provided to the purchaser at the time of purchase. This Limited Product Warranty is subjected to the following terms and conditions:

1. To obtain warranty service, a proof of purchase, an original or copy of the sales receipt from the original retailer, is required.

2. This Limited Product Warranty is only valid and enforceable in the country/region where the product is sold.
3. This Limited Product Warranty is the sole option of DARE2RIDE to either repair or replace the defective product during the Limited Product Warranty Period. DARE2RIDE will not replace missing components from any package purchased through online auctions.
4. To obtain warranty service, contact your local DARE2RIDE authorized retailer or FUEGO 1.1|1.0 for shipping instructions and an RMA number.
5. This Limited Product Warranty covers expenses for inspecting and repairing the product during the Limited Product Warranty Period. The defective product shall be delivered by the purchaser at his/her own expense to the designated premises together with the proof of purchase and RMA number.

#### Safety precautions and regulations

6. DARE2RIDE will return the repaired or replaced product to the drop-zone for collection by the customer in good working condition. All replaced faulty products or components will become the property of DARE2RIDE. If DARE2RIDE repairs or replaces the product, the repaired or replaced product shall continue to be warranted for the remaining time of the original warranty period or for three (3) months from the date of repair or replacement, whichever is longer.
7. Before returning any units for service, be sure to back up data and remove any confidential, proprietary, or personal information from the Product. DARE2RIDE is not responsible for damage to or loss of data.
8. DARE2RIDE reserves the right to add, delete or amend the terms and conditions at any time without prior notice on its website indicated below.
9. **THIS LIMITED WARRANTY SHALL NOT APPLY IF THE DAMAGE WAS CAUSED BY ANY OF THE FOLLOWING:**
  - A. The product serial number has been removed, erased, defaced, altered or is illegible.
  - B. The damage is resulting from the use of the product in a manner other than its normal and customary manner.
  - C. Deterioration of the product due to normal wear and tear.
  - D. The damage is arising from improper installation, unauthorized repair, alteration or modification to this product by third parties other than DARE2RIDE or its designee.
  - E. The damage is arising from operating with components or accessories not officially authorized or provided by DARE2RIDE or used in other than its intended use.
  - F. The damage is arising from exposure to abnormally corrosive conditions or operation with extreme heat or humidity.
10. **FUEGO 1.1|1.0 WILL NOT BE LIABLE FOR INCIDENTAL OR CONSEQUENTIAL LOSSES OR DAMAGES TO ANY NATURE, INCLUDING BUT NOT LIMITED TO LOST PROFITS OR COMMERCIAL LOSS, TO THE FULLEST EXTENT THAT THOSE LOSSES OR DAMAGES CAN BE DISCLAIMED BY LAW.**
11. This Limited Product Warranty does not affect the customer's statutory rights in law specific to the country of purchase, such rights remain protected. Some countries do not allow the exclusion or limitation of incidental or consequential loss or damage, or limitation of the implied warranties, in those circumstances the preceding limitation of exclusions may not apply to such customers.

## Warranty Coverage:

1. Under normal conditions of use, the product main unit and components get a one year free after-sales maintenance services.
2. Please present the original purchase approval or receipt with this Product Warranty upon requesting a service. Service fee might be charged in accordance with this Product Warranty.

Please note the Limited Product Warranty Period and service availability and response times may vary from country to country and may also be subject to registration requirement in the country of purchase. If you require assistance regarding warranty conditions, or any other enquiries, please contact the original retailer or DARE2RIDE. **Website:** [WWW.DARE2RIDE.COM](http://WWW.DARE2RIDE.COM)

<b>FUEGO 1.1 1.0 TRAINER Product Warranty</b>	
Please retain the original purchase receipt or approval in order to protect your right of free warranty service.	
	Serial Number
	Purchase Date
	Dealer stamps

Thank you again for purchasing the FUEGO 1.1|1.0

DARE2RIDE reserves the right to design, change specifications, and improve quality.

Should you have any questions regarding use of the bike trainer, please visit our website at: [WWW.DARE2RIDE.COM](http://WWW.DARE2RIDE.COM)



## SOFTWARE COMPATIBILITY

### ZWIFT

ZWIFT	
Windows	ANT Key Bluetooth with Zwift Companion
MAC OS	Bluetooth
IOS/Android	Bluetooth

#### NOTE:

Windows systems connected by Bluetooth need to use Zwift Companion with the same Wi-Fi circumstance with computer.

RIVAL	
Windows	ANT Key
MAC OS	Bluetooth
IOS/Android	Bluetooth

### RIVAL

#### NOTE:

1. Android system is suggested to connect to RouvyAR app to get the best experience .
2. Please select FUEGO 1.1|1.0 on the device list when connected by Bluetooth and please select another trainer and ANT FE-C when connected by ANT key.

### KINOMAP

KINOMAP	
IOS/Android	Bluetooth

#### NOTE:

For better training experience, FUEGO 1.1|1.0 suggests connecting to the Kinomap classic version, not beta version.

If the suggestion above is different with their introduction, please be subject to the websites of each software.

**FUEGO 1.1|1.0 supports all the training software connected by ANT FE-C protocol and Bluetooth FTMS include Zwift, Rouvy, Kinomap, TrainerRoad, PerfPRO, TACX films (for TTS) etc.**

IF you have any questions regarding use of the bike trainer, please visit our website at: [WWW.DARE2RIDE.COM](http://WWW.DARE2RIDE.COM)

KEEP PUSHING